



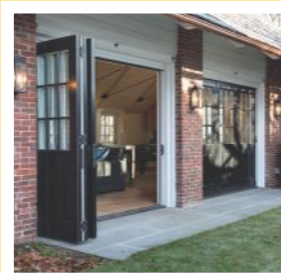
UPSTATE DOOR®

DISTINCTIVE DOOR SOLUTIONS

BI-FOLDING DOORS

Wide Open Spaces

Enjoy your beautiful views and the fresh air with a custom wood bi-folding unit from Upstate Door. Constructed with up to 16 doors, our bi-folding units fold open effortlessly, creating an ideal indoor/outdoor living space.

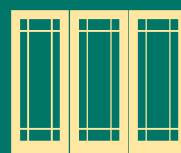
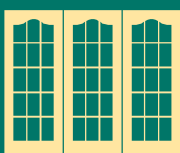


All Upstate Door bi-folding units are constructed utilizing the Centor E-Series hardware system. Known for its engineered excellence, this hardware system's high performance exudes an exceptional degree of control and comfort for the end-user.

Built with hand-selected lumber, coped and doweled joints, West System marine epoxy; these units can be configured in several door layouts and offer the following features:

- Up to 39" individual door width
- Up to 118" individual door height
- Minimum 1¾" door thickness
- Custom head jamb to accommodate hardware
- 220 lb. max weight per door
- Up to 53 feet opening
- Up to 16 door layout (8 left + 8 right)
- CNC machining for Centor hardware
- Solid wood, aluminum, ADA aluminum sill or floor channel
- Inswing or outswing
- Choice of drop bolts or TwinPoint® locks (both options available in keyed or non-keyed configurations)
- Double weather-seal between doors with single perimeter weather seal
- Exterior or interior applications

Centor screen applications are also available on bi-folding units up to 24' wide and 10' high.



BI-FOLDING DOORS

Wide Open Spaces

Floor Channel



Handle/Twinpoint

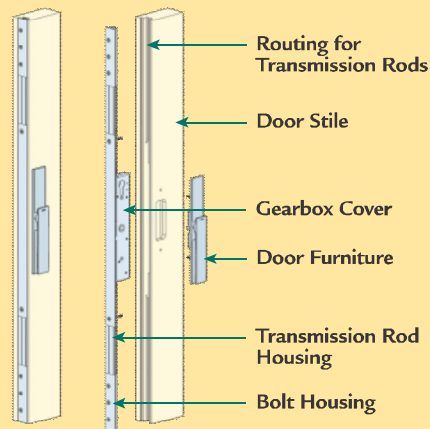


Hinge/Weather Seal



Centor hardware is manufactured in architectural grade stainless steel and is available in oil rubbed bronze, PVD brass or brushed stainless steel. Tested for weatherproofing and proven performance, the Centor hardware package is one of the most secure systems on the market.

Twinpoint lock
(not available in PVD brass)



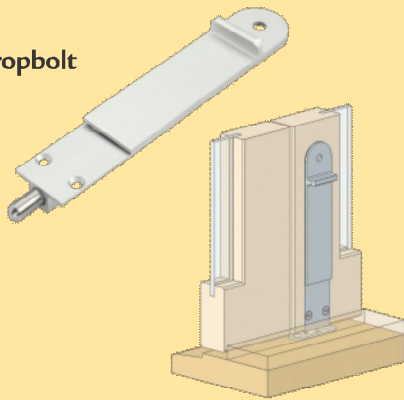
Intermediate Carrier



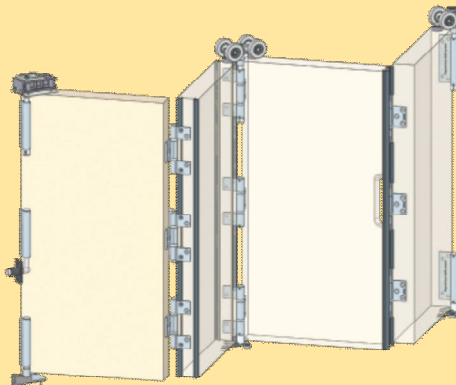
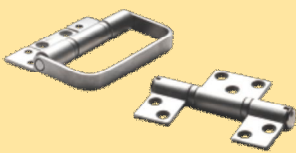
End Carrier



Dropbolt



Handle and Hinge



centor®